

## JET PUMPS

Franklin's jet pumps can be configured for a variety of pressures and flow choices, and are ideal for supplying fresh water to homes, cabins, farms, or practically anywhere that has a suction lift of 100 feet or less. The material options range from cast iron to stainless steel, making the pumps a contractor's choice for any job.

### PRODUCT FAMILY

- Shallow Well VersaJet & VersaJet Pro
- SWJ Series
- Convertible VersaJet & VersaJet Pro
- Convertible Pro (RM2) Series
- C Series
- Jet Pump Accessories

### APPLICATIONS

- Fresh Water Supply lifting from depths of up to 100' with deep well injector; 25' max shallow well



Convertible Pro (RM2) Series



Shallow Well VersaJet



Shallow Well VersaJet Pro



Convertible VersaJet & VersaJet Pro



C Series



SWJ Series

## JET PUMPS - SWJ (CYCLONE) SERIES

### FEATURES

- Non-corrosive thermoplastic construction
- Replaceable in-line nozzle design for maximum hydraulic efficiency and ease of service
- Self-cleaning, anti-clogging injector screen
- Thermoplastic impeller and diffuser ensure increased hydraulic performance
- Floating stainless steel eye seal for maximum performance and efficiency
- Phenolic/Ceramic mechanical shaft seal with nitrile elastomers and 18-8SS hardware ensures positive sealing and longevity
- Square-flange mounting provides easy serviceability without disturbing the plumbing
- Built-in drain plug for easy winterizing and servicing
- Pressure switch is installed and set at 30/50 psi
- Handles water temperatures up to 120 °F/49 °C; 75 psi maximum working pressure
- 1-1/4" inlet and 1" outlet - all models



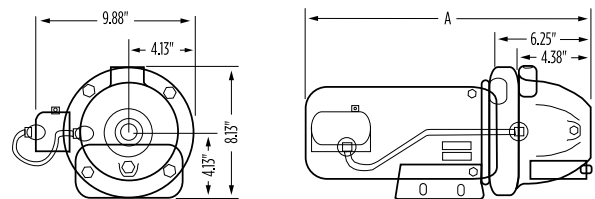
### ORDERING INFORMATION

Model	HP	Voltage	S.F.A.	Pump Unit	
				Order No.	Wt. (lbs)
FSWJ05P	1/2	115/230	12.4/6.2	91090005	23
FSWJ07P	3/4		14.8/7.4	91090007	31
FSWJ10P	1		13.0/6.7	91093010	35

### DIMENSIONS

Model	HP	A
FSWJ05P	1/2	17.63"
FSWJ07P	3/4	18.25"
FSWJ10P	1	16.90"

NOTE: Dimensions will vary according to motor manufacturer



### PERFORMANCE

Model	HP	Total Suction Lift (ft)	Discharge Pressure (PSI)								Shut-off Pressure (PSI)
			30	35	40	45	50	55	60	65	
			Gallons Per Minute (GPM)								
FSWJ05P	1/2	5	12.0	10.7	9.1	7.2	4.9	2.8	0.9	-	62
		10	-	10.0	8.4	6.3	3.9	1.9	-	-	60
		15	-	-	7.7	5.3	3.0	0.9	-	-	57
		20	-	-	6.4	4.3	2.2	0.2	-	-	55
		25	-	-	5.0	3.3	1.4	-	-	-	53
FSWJ07P	3/4	5	-	16.0	14.4	12.6	10.6	8.3	5.0	1.8	68
		10	-	-	13.5	11.8	9.7	6.9	3.6	0.2	65
		15	-	-	-	11.0	8.8	5.4	2.2	-	63
		20	-	-	-	9.0	7.2	3.9	0.8	-	60
		25	-	-	-	-	5.6	2.3	-	-	58
FSWJ10P	1	5	-	-	14.2	12.0	9.7	7.4	4.9	2.4	69.6
		10	-	-	13.2	11.4	8.9	6.5	3.9	-	67.9
		15	-	-	12.2	10.7	8.1	5.5	2.9	-	66.1
		20	-	-	-	-	7.5	4.9	2.3	-	64.8
		25	-	-	-	-	6.9	4.2	1.7	-	63.5

## JET PUMPS - SHALLOW WELL VERSAJET

### FEATURES

- Revolutionary “Quick-Change” jet nozzle replacement system allows for easy customization of the pump; performance can be quickly changed from a high pressure to high flow set-up without removing the plumbing or opening the case
- Impeller (with stainless steel insert), diffuser, jet nozzle, and venturi all molded with Modified PPO, a material that increases efficiency and hydraulic performance
- Phenolic/Ceramic mechanical shaft seal with nitrile elastomers and 18-8SS hardware ensures positive sealing and longevity
- Heavy-duty cast iron case includes both pressure and drain ports
- Floating stainless steel eye seal provides maximum performance and efficiency
- Powered by high quality, industry proven, UL778 approved, indoor/outdoor square-flange single phase motors
- Pressure switch installed and set at 30/50 psi
- Water temperatures up to 120 °F/49 °C; 75 psi maximum working pressure
- 1-1/4" inlet and 1" outlet - all models



### ORDERING INFORMATION

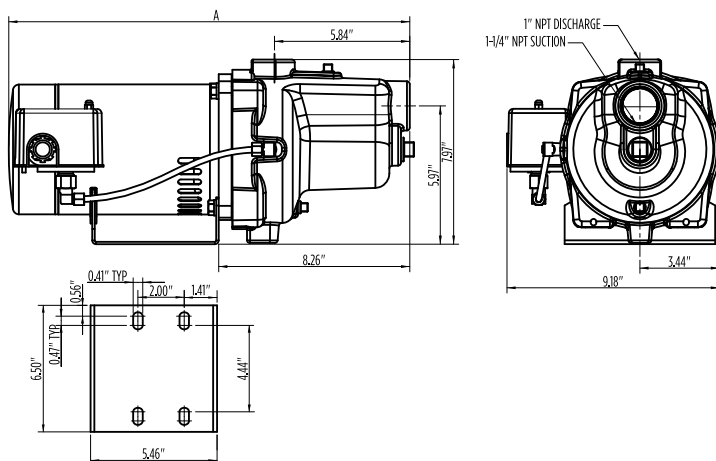
Model	HP	Voltage	S.F.A.	Pump Unit	
				Order No.	Wt. (lbs)
FVJ05CI	1/2	115/230	9.4/4.7	91180005	31
FVJ07CI	3/4		12.4/6.2	91180007	34
FVJ1CI	1		14.8/7.4	91180010	51
FVJ15CI	1-1/2		19.9/9.95	91180015	56

### DIMENSIONS

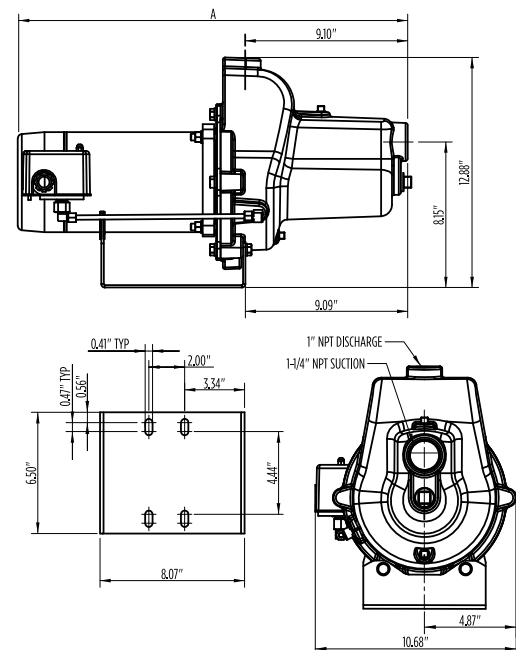
Model	HP	A
FVJ05CI	1/2	17.25"
FVJ07CI	3/4	18.00"
FVJ1CI	1	21.78"
FVJ15CI	1-1/2	22.66"

NOTE: Dimensions will vary according to motor manufacturer

#### 1/2 AND 3/4 HP VERSAJET



#### 1 AND 1.5 HP VERSAJET



## JET PUMPS - SHALLOW WELL VERSAJET

### SHALLOW-WELL PERFORMANCE

1" Dis. x 1-1/4" Suc.			Discharge Pressure (PSI)						Shut-off Pressure (PSI)
Model	Nozzle	Total Suction Lift (ft)	10	20	30	40	50	60	
			Gallons Per Minute (GPM)						
FVJ05CI	Nozzle B (Standard)	5	10.8	10.5	10.1	8.5	4.9	2.1	70
		10	9.4	9.1	8.7	7.5	4.1	1.6	
		15	8.0	7.7	7.4	6.5	3.4	1.1	
		20	6.2	6.0	5.7	5.3	2.6	0.5	
	Nozzle C (High Pressure)	25	4.4	4.3	4.1	4.0	1.8	-	86
		5	9.8	8.9	8.3	7.6	6.3	4.0	
		10	8.3	7.5	7.1	6.6	5.7	3.5	
		15	6.8	6.2	5.9	5.7	5.1	3.0	
	Nozzle A (High Flow)	20	5.3	5.0	4.8	4.6	4.3	2.6	47
		25	3.8	3.8	3.7	3.6	3.5	2.2	
		5	12.8	12.5	12.1	5.2	-	-	
		10	11.4	11.1	10.8	3.6	-	-	
FVJ07CI	Nozzle C (Standard)	15	10.0	9.8	9.6	1.9	-	-	70
		20	8.0	7.7	6.8	1.0	-	-	
		25	6.0	5.7	4.1	-	-	-	
		5	16.3	15.6	15.1	14.1	9.0	3.8	
	Nozzle D (High Pressure)	10	14.2	13.6	13.1	12.5	7.8	2.9	73
		15	12.1	11.6	11.2	10.8	6.5	2.0	
		20	9.5	9.1	8.9	8.7	5.0	1.0	
		25	7.0	6.7	6.7	6.6	3.5	-	
	Nozzle A (High Flow)	5	15.8	15.2	14.7	14.1	9.6	4.8	47
		10	13.9	13.2	12.8	12.4	8.5	3.9	
		15	11.9	11.1	10.8	10.6	7.5	3.0	
		20	9.2	8.8	8.6	8.5	6.2	1.8	
FVJ1CI	Nozzle B (Standard)	25	6.5	6.5	6.4	6.4	4.8	0.6	64
		5	18.9	18.7	18.4	11.6	-	-	
		10	16.8	16.6	16.3	8.0	-	-	
		15	14.8	14.5	14.2	4.4	-	-	
	Nozzle C (High Pressure)	20	11.8	11.6	11.2	2.2	-	-	71
		25	8.8	8.7	8.1	-	-	-	
		5	21.5	21.0	20.7	20.4	12.8	3.9	
		10	19.2	18.8	18.5	18.2	11.3	2.0	
	Nozzle A (High Flow)	15	16.9	16.6	16.3	16.0	9.7	-	54
		20	13.6	13.4	13.2	13.0	7.4	-	
		25	10.4	10.3	10.1	10.0	5.0	-	
		5	20.4	19.8	19.4	19.1	14.6	7.7	
FVJ15CI	Nozzle B (Standard)	10	18.1	17.6	17.3	17.1	13.6	6.5	66
		15	15.9	15.4	15.2	15.0	12.6	5.2	
		20	12.7	12.4	12.2	12.1	10.8	3.3	
		25	9.5	9.3	9.2	9.1	9.0	1.4	
	Nozzle C (High Pressure)	5	23.3	23.0	22.7	20.2	7.6	-	72
		10	20.7	20.3	20.0	17.4	3.8	-	
		15	18.1	17.7	17.3	14.6	-	-	
		20	14.8	14.5	14.2	10.8	-	-	
	Nozzle A (High Flow)	25	11.5	11.3	11.1	7.0	-	-	59
		5	29.0	28.6	28.2	27.8	24.0	11.6	
		10	25.5	25.0	24.8	24.5	21.2	7.7	
		15	21.9	21.5	21.3	21.1	18.5	3.8	
Nozzle C (High Pressure)	20	17.6	17.2	16.9	16.7	13.8	1.9	72	
	25	13.2	12.9	12.6	12.3	9.2	-		
	5	28.7	28.2	27.9	27.6	26.8	15.5		
	10	25.3	24.8	24.4	24.0	23.4	13.3		
Nozzle A (High Flow)	15	21.9	21.4	20.9	20.5	20.1	11.2	59	
	20	17.4	17.1	16.8	16.6	16.3	7.0		
	25	13.0	12.9	12.7	12.6	12.5	2.8		
	5	30.3	29.9	29.5	29.2	19.5	-		
Nozzle A (High Flow)	10	26.9	26.6	26.2	25.9	15.9	-	59	
	15	23.6	23.3	22.9	22.6	12.4	-		
	20	19.0	18.8	18.5	17.9	6.2	-		
	25	14.5	14.3	14.1	13.2	-	-		

## JET PUMPS - SHALLOW WELL VERSAJET PRO

### FEATURES

- Revolutionary “Quick-Change” jet nozzle replacement system allows for easy customization of the pump; performance can be quickly changed from a high pressure to high flow set-up without removing the plumbing or opening the case
- Impeller (with stainless steel insert), diffuser, jet nozzle, and venturi all molded with Modified PPO, a material that increases efficiency and hydraulic performance
- Phenolic/Ceramic mechanical shaft seal with nitrile elastomers and 18-8SS hardware ensures positive sealing and longevity
- Heavy-duty cast iron case features both pressure and drain ports
- Floating stainless steel eye seal for maximum performance and efficiency
- Powered by high quality, industry proven, UL778 approved, indoor/outdoor square-flange motors; both single and three phase motors, the latter inverter duty rated
- Pressure switch installed and set at 30/50 psi (not included on three phase motors)
- Water temperatures up to 120 °F/49 °C; 75 psi maximum working pressure
- 1-1/4" inlet and 1" outlet - all models



### ORDERING INFORMATION

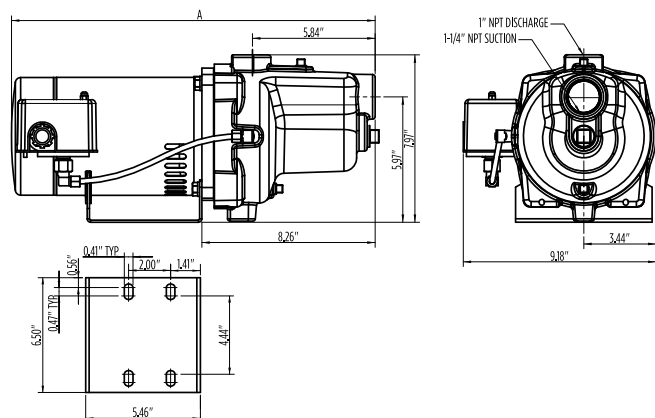
Model	HP	Phase	Voltage	S.F.A.	Pump Unit	
					Order No.	Wt. (lbs)
FVJ05CI-P	1/2	1	115/230	12.4/6.2	91181005	34
FVJ07CI-P	3/4			14.8/7.4	91181007	51
FVJ1CI-P	1			19.9/9.95	91181010	56
FVJ05CI-T	1/2	3	208-230/460	3.0/1.5	91183005	34
FVJ07CI-T	3/4			3.6/1.8	91183007	51
FVJ10CI-T	1			4.7/2.35	91183010	56

### DIMENSIONS

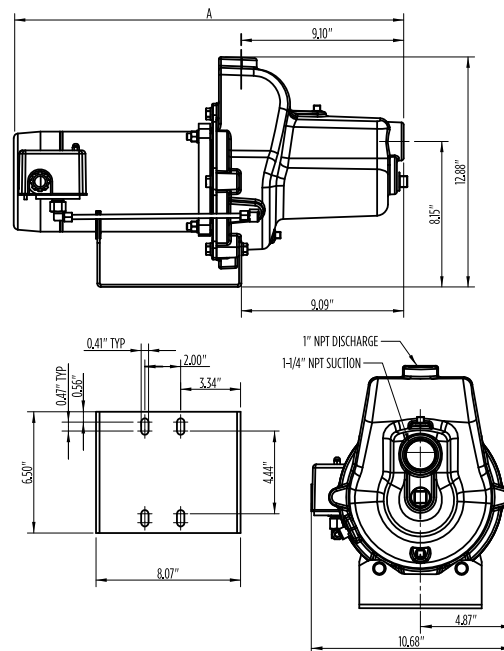
Model	HP	A
FVJ05CI-P	1/2	18.00"
FVJ07CI-P	3/4	21.78"
FVJ1CI-P	1	22.66"

NOTE: Dimensions will vary according to motor manufacturer

#### 1/2 VERSAJET PRO



#### 1 VERSAJET PRO



## JET PUMPS - SHALLOW WELL VERSAJET PRO

### SHALLOW-WELL PERFORMANCE

1" Dis. x 1-1/4" Suc.			Discharge Pressure (PSI)						Shut-off Pressure (PSI)
Model	Nozzle	Total Suction Lift (ft)	10	20	30	40	50	60	
			Gallons Per Minute (GPM)						
FVJ05CI-P	Nozzle C (Standard)	5	16.3	15.6	15.1	14.1	9.0	3.8	70
		10	14.2	13.6	13.1	12.5	7.8	2.9	
		15	12.1	11.6	11.2	10.8	6.5	2.0	
		20	9.5	9.1	8.9	8.7	5.0	1.0	
		25	7.0	6.7	6.7	6.6	3.5	-	
	Nozzle D (High Pressure)	5	15.8	15.2	14.7	14.1	9.6	4.8	73
		10	13.9	13.2	12.8	12.4	8.5	3.9	
		15	11.9	11.1	10.8	10.6	7.5	3.0	
		20	9.2	8.8	8.6	8.5	6.2	1.8	
		25	6.5	6.5	6.4	6.4	4.8	0.6	
	Nozzle A (High Flow)	5	18.9	18.7	18.4	11.6	-	-	47
		10	16.8	16.6	16.3	8.0	-	-	
15		14.8	14.5	14.2	4.4	-	-		
20		11.8	11.6	11.2	2.2	-	-		
25		8.8	8.7	8.1	-	-	-		
FVJ07CI-P	Nozzle B (Standard)	5	21.5	21.0	20.7	20.4	12.8	3.9	64
		10	19.2	18.8	18.5	18.2	11.3	2.0	
		15	16.9	16.6	16.3	16.0	9.7	-	
		20	13.6	13.4	13.2	13.0	7.4	-	
		25	10.4	10.3	10.1	10.0	5.0	-	
	Nozzle C (High Pressure)	5	20.4	19.8	19.4	19.1	14.6	7.7	71
		10	18.1	17.6	17.3	17.1	13.6	6.5	
		15	15.9	15.4	15.2	15.0	12.6	5.2	
		20	12.7	12.4	12.2	12.1	10.8	3.3	
		25	9.5	9.3	9.2	9.1	9.0	1.4	
	Nozzle A (High Flow)	5	23.3	23.0	22.7	20.2	7.6	-	54
		10	20.7	20.3	20.0	17.4	3.8	-	
15		18.1	17.7	17.3	14.6	-	-		
20		14.8	14.5	14.2	10.8	-	-		
25		11.5	11.3	11.1	7.0	-	-		
FVJ1CI-P	Nozzle B (Standard)	5	29.0	28.6	28.2	27.8	24.0	11.6	66
		10	25.5	25.0	24.8	24.5	21.2	7.7	
		15	21.9	21.5	21.3	21.1	18.5	3.8	
		20	17.6	17.2	16.9	16.7	13.8	1.9	
		25	13.2	12.9	12.6	12.3	9.2	-	
	Nozzle C (High Pressure)	5	28.7	28.2	27.9	27.6	26.8	15.5	72
		10	25.3	24.8	24.4	24.0	23.4	13.3	
		15	21.9	21.4	20.9	20.5	20.1	11.2	
		20	17.4	17.1	16.8	16.6	16.3	7.0	
		25	13.0	12.9	12.7	12.6	12.5	2.8	
	Nozzle A (High Flow)	5	30.3	29.9	29.5	29.2	19.5	-	59
		10	26.9	26.6	26.2	25.9	15.9	-	
15		23.6	23.3	22.9	22.6	12.4	-		
20		19.0	18.8	18.5	17.9	6.2	-		
25		14.5	14.3	14.1	13.2	-	-		



## JET PUMPS - CONVERTIBLE VERSAJET

### FEATURES

- Heavy-duty cast iron pump case includes (3) 1" discharge/pressure ports for optimum installation flexibility, plus a 1/4" NPT port for pressure gauge mounting
- Each rating is available with one of (5) factory mounted suction flanges to enable the pump to replace a deep well pump unit installed in the field without altering the existing suction and pressure pipe connections; includes vacuum port for AVC connection
- Adjustable height pump base further enables matching the pump to existing plumbing
- Thermoplastic impeller and diffuser are precision molded for high efficiency and dependability
- Phenolic/Ceramic mechanical shaft seal with nitrile elastomers and 18-8SS hardware ensures positive sealing and longevity
- Adjustable pressure switch is factory set at 30/50 psi
- Water temperatures up to 120 °F/49 °C; 75 psi maximum working pressure
- Powered by high quality, industry proven, UL778 approved, indoor/outdoor square-flange motors



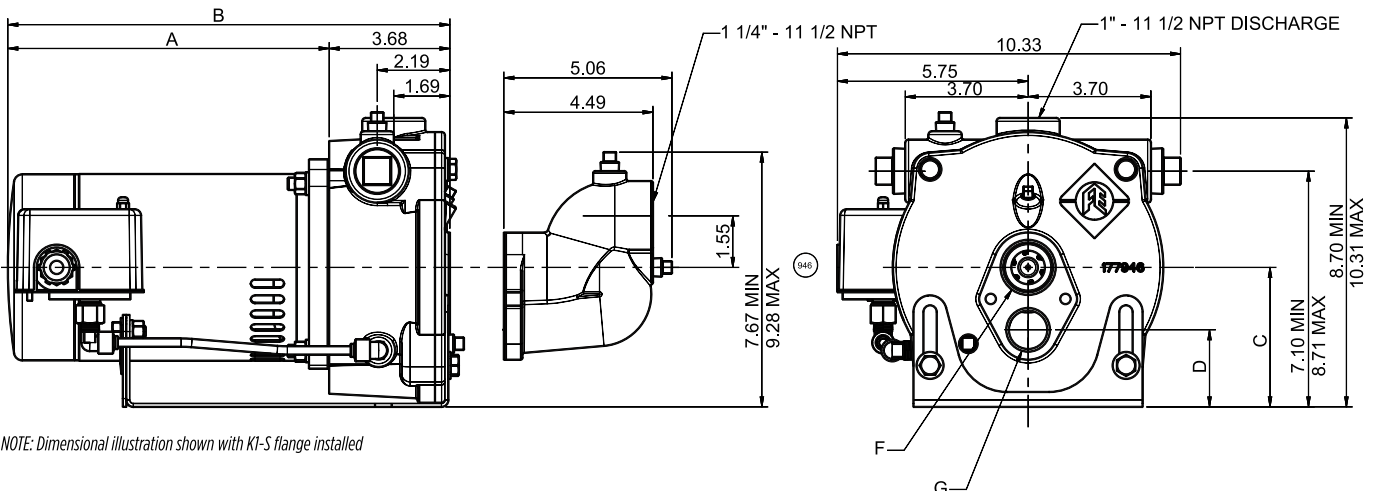
### ELECTRICAL INFORMATION

Model	HP	Voltage	S.F.A.
FCVJ05CI	1/2	115/230	9.4/4.7
FCVJ07CI	3/4		12.4/6.2
FCVJ10CI	1		14.8/7.4
FCVJ15CI	1-1/2		19.9/9.95

NOTE: Deep-well installations require a 4" inside well diameter and control valve 96150951

### DIMENSIONS

Model	HP	A	B
FCVJ05CI	1/2	9.63"	13.31"
FCVJ07CI	3/4	10.38"	14.06"
FCVJ10CI	1	11.00"	13.68"
FCVJ15CI	1-1/2	11.88"	15.56"



NOTE: Dimensional illustration shown with K1-S flange installed

## JET PUMPS - CONVERTIBLE VERSAJET

### SHALLOW-WELL PERFORMANCE

CVJ Series				Discharge Pressure (PSI)						Shut-off Pressure (PSI)
Model	HP	Injector Kit	Total Suction Lift (ft)	30	40	50	60	70	80	
				Gallons Per Minute (GPM)						
FCVJ05CI	1/2	SW1	5	11.5	7.0	3.9	-	-	-	61
			10	10.2	6.4	3.2	-	-	-	59
			15	9.1	5.8	2.4	-	-	-	57
			20	8.0	5.1	1.7	-	-	-	55
			25	6.5	4.4	0.8	-	-	-	53
		SW2	5	10.6	6.6	4.6	2.4	-	-	71
			10	9.3	6.2	4.1	1.9	-	-	69
			15	8.2	5.7	3.7	1.4	-	-	67
			20	6.8	5.2	3.1	1.0	-	-	65
		SW3	25	5.2	4.8	2.6	0.6	-	-	63
			5	8.0	5.8	4.6	3.2	1.9	0.8	88
			10	6.9	5.5	4.3	2.9	1.7	0.6	86
15	5.9		5.2	4.0	2.7	1.4	-	84		
20	-		4.7	3.6	2.4	1.2	-	82		
FCVJ07CI	3/4	SW5	25	-	3.7	3.3	2.1	1.0	-	80
			5	-	-	-	-	-	-	-
			10	16.7	14.0	8.2	2.8	-	-	65
			15	-	12.7	6.8	1.6	-	-	63
			20	-	11.3	5.7	-	-	-	61
		SW6	25	-	8.8	4.6	-	-	-	59
			5	11.8	11.8	8.6	5.3	2.9	0.8	85
			10	-	10.2	7.8	4.7	2.5	-	83
			15	-	8.7	7.0	4.2	2.2	-	81
		SW7	20	-	7.1	6.2	3.8	1.7	-	79
			25	-	-	5.5	3.4	1.2	-	77
			5	-	8.2	7.9	5.7	3.8	2.4	101
10	-		7.1	6.9	5.3	3.6	2.2	99		
15	-		-	6.1	4.8	3.3	1.9	97		
FCVJ10CI	1	SW4	20	-	-	5.1	4.4	3.1	1.7	95
			25	-	-	4.1	4.0	2.7	1.4	93
			5	21.4	18.6	11.8	5.2	-	-	68
			10	18.8	17.1	10.4	3.8	-	-	66
			15	16.2	15.4	8.9	2.4	-	-	64
		SW5	20	13.4	13.4	7.5	0.8	-	-	61
			25	10.5	10.5	6.2	-	-	-	59
			5	18.7	18.5	13.0	7.7	2.8	-	76
			10	-	16.4	11.8	6.6	1.6	-	73
		SW6	15	-	14.2	10.7	5.4	-	-	71
			20	-	11.6	9.5	4.5	-	-	69
			25	-	9.0	8.4	3.6	-	-	67
5	-		11.7	11.1	7.8	5.2	3.1	98		
10	-		10.3	10.2	7.2	4.8	2.8	96		
FCVJ15CI	1-1/2	SW4	15	-	-	8.8	6.7	4.4	2.5	94
			20	-	-	7.3	6.2	4.0	2.1	92
			25	-	-	5.7	5.6	3.6	1.7	90
			5	-	21.3	20.5	13.5	6.6	-	81
			10	-	18.7	18.3	11.8	5.2	-	78
		SW5	15	-	16.0	15.9	10.1	3.8	-	76
			20	-	13.3	13.3	8.6	2.0	-	73
			25	-	10.5	10.5	-	-	-	71
			5	-	-	18.3	15.2	9.5	4.4	89
		SW6	10	-	-	16.1	13.8	8.5	3.4	87
			15	-	-	13.9	12.4	7.4	2.3	85
			20	-	-	11.4	10.9	6.0	1.1	82
25	-		-	8.8	8.8	4.7	-	80		
5	-		-	11.4	11.3	9.3	6.7	118		
SW6	10	-	-	-	10.1	8.6	6.2	116		
	15	-	-	-	8.7	8.0	5.7	113		
	20	-	-	-	7.2	7.1	5.3	111		
	25	-	-	-	-	5.7	4.8	108		



## JET PUMPS - CONVERTIBLE VERSAJET

### DEEP-WELL PERFORMANCE

CVJ Series				Discharge Pressure (PSI)						Shut-off Pressure (PSI)		
Model	HP	Injector Kit	Total Suction Lift (ft)	30	35	40	45	50	55			
				Gallons Per Minute (GPM)								
FCVJ05CI	1/2	DW2	30	8.0	4.4	1.5	-	-	-	56		
			40	6.3	3.0	-	-	-	-	51		
			50	4.6	1.6	-	-	-	-	46		
			60	2.9	-	-	-	-	-	41		
			70	1.6	-	-	-	-	-	36		
			70	1.6	-	-	-	-	-	36		
		DW5	30	6.0	4.5	3.0	2.0	1.2	-	87		
			40	5.3	3.8	2.5	1.6	0.8	-	81		
			50	4.4	3.1	2.0	1.1	-	-	76		
			60	3.6	2.4	1.5	0.7	-	-	70		
			70	3.0	1.9	1.0	-	-	-	64		
			80	2.3	1.3	0.6	-	-	-	58		
90	1.7	0.8	-	-	-	-	51					
FCVJ07CI	3/4	DW2	30	11.1	7.2	4.0	1.3	-	-	65		
			40	9.3	5.7	2.7	-	-	-	60		
			50	7.4	4.2	1.5	-	-	-	55		
			60	5.6	2.7	-	-	-	-	51		
			70	4.1	1.3	-	-	-	-	45		
			80	2.7	-	-	-	-	-	40		
			90	1.2	-	-	-	-	-	35		
			DW1	30	-	6.6	5.0	3.4	2.2	1.3	97	
				40	6.6	6.0	4.2	2.8	1.7	0.9	92	
		50		6.6	5.1	3.5	2.3	1.3	-	86		
		60		5.9	4.1	2.7	1.7	0.8	-	81		
		70		5.0	3.4	2.2	1.2	-	-	76		
		80		4.1	2.7	1.6	0.8	-	-	70		
		90		3.1	2.0	1.1	-	-	-	65		
		90		3.1	2.0	1.1	-	-	-	65		
		90		3.1	2.0	1.1	-	-	-	65		
		FCVJ10CI	1	DW2	30	12.2	9.9	6.3	3.5	0.8	-	74
					40	11.4	8.2	4.9	2.2	-	-	69
50	9.7				6.5	3.5	0.8	-	-	64		
60	7.9				4.8	2.1	-	-	-	59		
70	6.1				3.4	0.8	-	-	-	53		
80	4.3				2.0	-	-	-	-	48		
90	2.5				0.6	-	-	-	-	43		
DW4	30				-	7.9	5.9	4.1	2.7	1.4	94	
	40				7.9	6.9	5.0	3.4	2.1	0.9	88	
	50			7.5	5.8	4.1	2.6	1.4	-	83		
	60			6.6	4.7	3.2	1.9	0.8	-	77		
	70			5.5	3.9	2.5	1.3	-	-	71		
	80			4.4	3.1	1.7	0.6	-	-	66		
	90			3.3	2.3	1.0	-	-	-	60		
	90			3.3	2.3	1.0	-	-	-	60		
	90			3.3	2.3	1.0	-	-	-	60		
FCVJ15CI	1-1/2			DW3	30	-	16.5	9.8	3.5	-	-	67
					40	-	13.0	6.9	1.0	-	-	62
		50	-		9.4	4.1	-	-	-	57		
		60	-		5.9	1.2	-	-	-	52		
		60	-		5.9	1.2	-	-	-	52		
		60	-		5.9	1.2	-	-	-	52		
		DW2	30	-	12.2	10.3	7.0	4.1	1.5	87		
			40	-	11.4	8.6	5.5	2.8	-	82		
			50	-	9.7	6.9	4.0	1.4	-	76		
			60	-	8.2	5.2	2.5	-	-	71		
			70	-	6.6	3.8	1.3	-	-	66		
			80	-	4.9	2.5	-	-	-	60		
			90	-	3.3	1.1	-	-	-	55		
			DW4	30	-	7.9	7.8	6.3	4.8	3.3	111	
				40	-	7.9	7.3	5.4	4.0	2.6	105	
		50		-	7.8	6.3	4.6	3.2	2.0	99		
		60		-	7.0	5.2	3.7	2.4	1.3	93		
		70		-	6.0	4.4	3.0	1.8	0.7	87		
		80		-	5.1	3.6	2.3	1.2	-	82		
		90	-	4.1	2.8	1.6	0.6	-	76			

## JET PUMPS - CONVERTIBLE VERSAJET

### ORDERING INFORMATION

### REPLACEMENT DEEP WELL PUMPS

(Where the existing deep well injector assembly remains in the well, connected to the suction & pressure pipes and only the surface pump and motor are being replaced)

1. Select the replacement pump from the following chart, based upon the pump brand, series and horsepower rating of the unit being replaced. Please consult performance charts to verify new pump will meet design expectations.

Convertible Versajet with Suction Flange Factory Mounted				
Model	HP	Order Number	Suction Flange	Accepts SW Injector
CVJ05CI-S	1/2	96136005	K1-S	Yes
CVJ07CI-S	3/4	96136007		
CVJ10CI-S	1	96136010		
CVJ15CI-S	1-1/2	96136015		
CVJ05CI-G	1/2	96135005	K2-G	No
CVJ07CI-G	3/4	96135007		
CVJ10CI-G	1	96135010		
CVJ15CI-G	1-1/2	96135015		
CVJ05CI-F	1/2	96134005	K3-F	No
CVJ07CI-F	3/4	96134007		
CVJ10CI-F	1	96134010		
CVJ15CI-F	1-1/2	96134015		
CVJ05CI-M	1/2	96133005	K4-M	No
CVJ07CI-M	3/4	96133007		
CVJ10CI-M	1	96133010		
CVJ15CI-M	1-1/2	96133015		
CVJ05CI-J	1/2	96137005	K5-J	No
CVJ07CI-J	3/4	96137007		
CVJ10CI-J	1	96137010		
CVJ15CI-J	1-1/2	96137015		

### NEW DEEP WELL PUMP INSTALLATIONS (MINIMUM 4" I.D. WELL REQUIRED)

1. Select the pump from the above chart using the appropriate suction flange after having consulted the performance charts to verify the desired flow and pressure will be achieved from the depth from which well water is to be lifted using the following deep well injector kit.
2. To maintain sufficient back-pressure on the deep well injector, a deep well control valve should be installed on the discharge line. (1" MNPT x 1" FNPT connections)

Deep Well Injector	Order Number
DWI-5	96152000

NOTE: This kit contains all nozzle & venturi combinations, plus instructions of how to choose and install the correct ones for your specific application

Deep Well Control Valve	Order Number
DW-CV	96150951

## JET PUMPS - CONVERTIBLE VERSAJET

### ORDERING INFORMATION (CONT.)

#### NEW OR REPLACEMENT SHALLOW WELL PUMP INSTALLATIONS

1. Select the pump with K1-S suction flange the from the following chart, based upon the horsepower rating and performance needed. Note that only the K1-S suction flange will allow the shallow well injector kit to bolt up to it successfully.

Convertible Versajet with Suction Flange Factory Mounted				
Model	HP	Order Number	Suction Flange	Accepts SW Injector
CVJ05CI-S	1/2	96136005	K1-S	Yes
CVJ07CI-S	3/4	96136007		
CVJ10CI-S	1	96136010		
CVJ15CI-S	1-1/2	96136015		

2. Order the following shallow well injector kit to fit the pump selected. This kit contains nozzles and venturi to enable it to fit all shallow well applications described in the performance charts.

Shallow Well Injector	Order Number
SWI-7	96151000

*NOTE: This kit contains all nozzle & venturi combinations, plus instructions of how to choose and install the correct ones for your specific application*

#### ALTERNATE SUCTION FLANGE KITS

1. Should an alternate suction flange kit be needed to retrofit a pump to enable it to serve a specific application, the following are available and include all necessary hardware for mounting.

Suction Flange Model	Order Number
K1-S (Sta-Rite)	96150946
K2-G (Goulds)	96150947
K3-F (F&W)	96150948
K4-M (Myers)	96150949
K5-J (Jacuzzi)	96150952

## JET PUMPS - CONVERTIBLE VERSAJET PRO

### FEATURES

- Heavy-duty cast iron pump case includes (3) 1" discharge/pressure ports for optimum installation flexibility, plus a 1/4" NPT port for pressure gauge mounting
- Each rating is available with one of (5) factory mounted suction flanges to enable the pump to replace a deep well pump unit installed in the field without altering the existing suction and pressure pipe connections; includes vacuum port for AVC connection
- Adjustable height pump base further enables matching the pump to existing plumbing
- Thermoplastic impeller and diffuser are precision molded for high efficiency and dependability
- Phenolic/Ceramic mechanical shaft seal with nitrile elastomers and 18-8SS hardware ensures positive sealing and longevity
- Adjustable pressure switch is factory set at 30/50 psi
- Water temperatures up to 120 °F/49 °C; 75 psi maximum working pressure
- Powered by high quality, industry proven, UL778 approved, indoor/outdoor square-flange motors



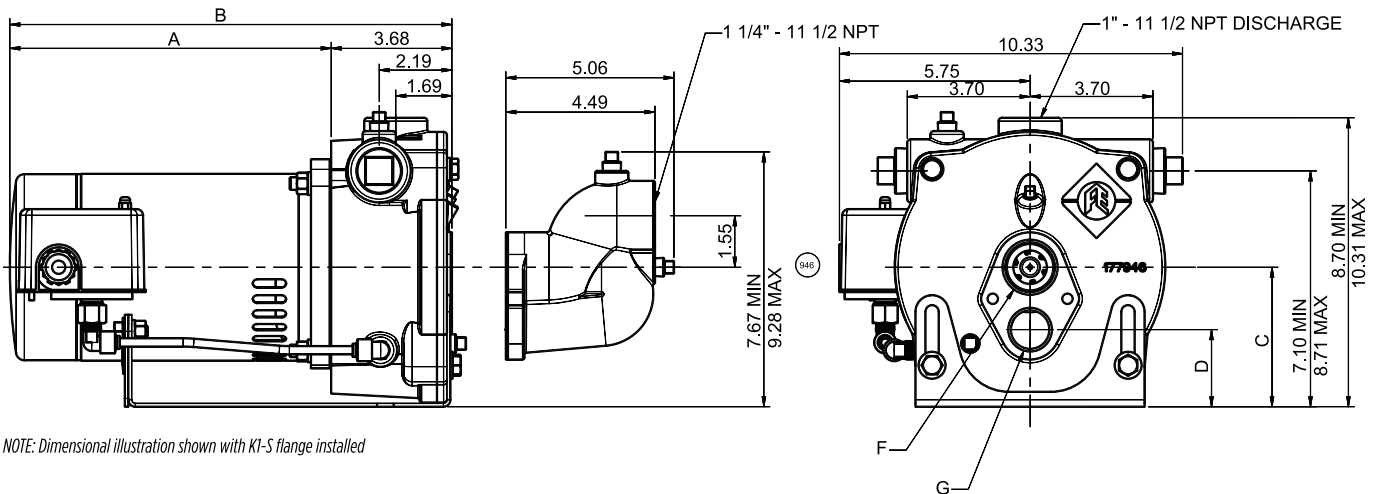
### ELECTRICAL INFORMATION

Model	HP	Voltage	S.F.A.
FCVJ05CI-P	1/2	115/230	12.4/6.2
FCVJ07CI-P	3/4		14.8/7.4
FCVJ10CI-P	1		19.9/9.95

NOTE: Deep-well installations require a 4" inside well diameter and control valve 96150951

### DIMENSIONS

Model	HP	A	B
FCVJ05CI-P	1/2	10.38"	14.06"
FCVJ07CI-P	3/4	11.00"	13.68"
FCVJ10CI-P	1	11.88"	15.56"



NOTE: Dimensional illustration shown with K1-S flange installed

# JET PUMPS - CONVERTIBLE VERSAJET PRO

## SHALLOW-WELL PERFORMANCE

CVJ Pro Series				Discharge Pressure (PSI)						Shut-off Pressure (PSI)	
Model	HP	Injector Kit	Total Suction Lift (ft)	30	40	50	60	70	80		
				Gallons Per Minute (GPM)							
FCVJ05CI-P	1/2	SW5	5	-	-	-	-	-	-	-	-
			10	16.7	14.0	8.2	2.8	-	-	65	
			15	-	12.7	6.8	1.6	-	-	63	
			20	-	11.3	5.7	-	-	-	61	
			25	-	8.8	4.6	-	-	-	59	
		SW6	5	11.8	11.8	8.6	5.3	2.9	0.8	85	
			10	-	10.2	7.8	4.7	2.5	-	83	
			15	-	8.7	7.0	4.2	2.2	-	81	
			20	-	7.1	6.2	3.8	1.7	-	79	
			25	-	-	5.5	3.4	1.2	-	77	
		SW7	5	-	8.2	7.9	5.7	3.8	2.4	101	
			10	-	7.1	6.9	5.3	3.6	2.2	99	
			15	-	-	6.1	4.8	3.3	1.9	97	
			20	-	-	5.1	4.4	3.1	1.7	95	
			25	-	-	4.1	4.0	2.7	1.4	93	
FCVJ07CI-P	3/4	SW4	5	21.4	18.6	11.8	5.2	-	-	68	
			10	18.8	17.1	10.4	3.8	-	-	66	
			15	16.2	15.4	8.9	2.4	-	-	64	
			20	13.4	13.4	7.5	0.8	-	-	61	
			25	10.5	10.5	6.2	-	-	-	59	
		SW5	5	18.7	18.5	13.0	7.7	2.8	-	76	
			10	-	16.4	11.8	6.6	1.6	-	73	
			15	-	14.2	10.7	5.4	-	-	71	
			20	-	11.6	9.5	4.5	-	-	69	
			25	-	9.0	8.4	3.6	-	-	67	
		SW6	5	-	11.7	11.1	7.8	5.2	3.1	98	
			10	-	10.3	10.2	7.2	4.8	2.8	96	
			15	-	-	8.8	6.7	4.4	2.5	94	
			20	-	-	7.3	6.2	4.0	2.1	92	
			25	-	-	5.7	5.6	3.6	1.7	90	
FCVJ10CI-P	1	SW4	5	-	21.3	20.5	13.5	6.6	-	81	
			10	-	18.7	18.3	11.8	5.2	-	78	
			15	-	16.0	15.9	10.1	3.8	-	76	
			20	-	13.3	13.3	8.6	2.0	-	73	
			25	-	10.5	10.5	-	-	-	71	
		SW5	5	-	-	18.3	15.2	9.5	4.4	89	
			10	-	-	16.1	13.8	8.5	3.4	87	
			15	-	-	13.9	12.4	7.4	2.3	85	
			20	-	-	11.4	10.9	6.0	1.1	82	
			25	-	-	8.8	8.8	4.7	-	80	
		SW6	5	-	-	11.4	11.3	9.3	6.7	118	
			10	-	-	-	10.1	8.6	6.2	116	
			15	-	-	-	8.7	8.0	5.7	113	
			20	-	-	-	7.2	7.1	5.3	111	
			25	-	-	-	-	5.7	4.8	108	

## JET PUMPS - CONVERTIBLE VERSAJET PRO

### DEEP-WELL PERFORMANCE

CVJ Pro Series				Discharge Pressure (PSI)						Shut-off Pressure (PSI)
Model	HP	Injector Kit	Total Suction Lift (ft)	30	35	40	45	50	55	
				Gallons Per Minute (GPM)						
FCVJ05CI-P	1/2	DW2	30	11.1	7.2	4.0	1.3	-	-	65
			40	9.3	5.7	2.7	-	-	-	60
			50	7.4	4.2	1.5	-	-	-	55
			60	5.6	2.7	-	-	-	-	51
			70	4.1	1.3	-	-	-	-	45
			80	2.7	-	-	-	-	-	40
			90	1.2	-	-	-	-	-	35
		DW1	30	-	6.6	5.0	3.4	2.2	1.3	97
			40	6.6	6.0	4.2	2.8	1.7	0.9	92
			50	6.6	5.1	3.5	2.3	1.3	-	86
			60	5.9	4.1	2.7	1.7	0.8	-	81
			70	5.0	3.4	2.2	1.2	-	-	76
			80	4.1	2.7	1.6	0.8	-	-	70
			90	3.1	2.0	1.1	-	-	-	65
FCVJ07CI-P	3/4	DW2	30	12.2	9.9	6.3	3.5	0.8	-	74
			40	11.4	8.2	4.9	2.2	-	-	69
			50	9.7	6.5	3.5	0.8	-	-	64
			60	7.9	4.8	2.1	-	-	-	59
			70	6.1	3.4	0.8	-	-	-	53
			80	4.3	2.0	-	-	-	-	48
			90	2.5	0.6	-	-	-	-	43
		DW4	30	-	7.9	5.9	4.1	2.7	1.4	94
			40	7.9	6.9	5.0	3.4	2.1	0.9	88
			50	7.5	5.8	4.1	2.6	1.4	-	83
			60	6.6	4.7	3.2	1.9	0.8	-	77
			70	5.5	3.9	2.5	1.3	-	-	71
			80	4.4	3.1	1.7	0.6	-	-	66
			90	3.3	2.3	1.0	-	-	-	60
FCVJ10CI-P	1	DW3	30	-	16.5	9.8	3.5	-	-	67
			40	-	13.0	6.9	1.0	-	-	62
			50	-	9.4	4.1	-	-	-	57
			60	-	5.9	1.2	-	-	-	52
		DW2	30	-	12.2	10.3	7.0	4.1	1.5	87
			40	-	11.4	8.6	5.5	2.8	-	82
			50	-	9.7	6.9	4.0	1.4	-	76
			60	-	8.2	5.2	2.5	-	-	71
			70	-	6.6	3.8	1.3	-	-	66
		DW4	80	-	4.9	2.5	-	-	-	60
			90	-	3.3	1.1	-	-	-	55
			30	-	7.9	7.8	6.3	4.8	3.3	111
			40	-	7.9	7.3	5.4	4.0	2.6	105
			50	-	7.8	6.3	4.6	3.2	2.0	99
60	-	7.0	5.2	3.7	2.4	1.3	93			
70	-	6.0	4.4	3.0	1.8	0.7	87			
80	-	5.1	3.6	2.3	1.2	-	82			
90	-	4.1	2.8	1.6	0.6	-	76			



## JET PUMPS - CONVERTIBLE VERSAJET PRO

### ORDERING INFORMATION

#### REPLACEMENT DEEP WELL PUMPS

(Where the existing deep well injector assembly remains in the well, connected to the suction & pressure pipes and only the surface pump and motor are being replaced)

1. Select the replacement pump from the following chart, based upon the pump brand, series and horsepower rating of the unit being replaced. Please consult performance charts to verify new pump will meet design expectations.

Convertible Versajet Pro with Suction Flange Factory Mounted				
Model	HP	Order Number	Suction Flange	Accepts SW Injector
CVJ05CI-S-P	1/2	96136105	K1-S	Yes
CVJ07CI-S-P	3/4	96136107		
CVJ10CI-S-P	1	96136110		
CVJ05CI-G-P	1/2	96135105	K2-G	No
CVJ07CI-G-P	3/4	96135107		
CVJ10CI-G-P	1	96135110		
CVJ05CI-F-P	1/2	96134105	K3-F	No
CVJ07CI-F-P	3/4	96134107		
CVJ10CI-F-P	1	96134110		
CVJ05CI-M-P	1/2	96133105	K4-M	No
CVJ07CI-M-P	3/4	96133107		
CVJ10CI-M-P	1	96133110		
CVJ05CI-J-P	1/2	96137105	K5-J	No
CVJ07CI-J-P	3/4	96137107		
CVJ10CI-J-P	1	96137110		

#### NEW DEEP WELL PUMP INSTALLATIONS (MINIMUM 4" I.D. WELL REQUIRED)

1. Select the pump from the above chart using the appropriate suction flange after having consulted the performance charts to verify the desired flow and pressure will be achieved from the depth from which well water is to be lifted using the following deep well injector kit.
2. To maintain sufficient back-pressure on the deep well injector, a deep well control valve should be installed on the discharge line. (1" MNPT x 1" FNPT connections)

Deep Well Injector	Order Number
DW1-5	96152000

*NOTE: This kit contains all nozzle & venturi combinations, plus instructions of how to choose and install the correct ones for your specific application*

Deep Well Control Valve	Order Number
DW-CV	96150951

## JET PUMPS - CONVERTIBLE VERSAJET

### ORDERING INFORMATION (CONT.)

#### NEW OR REPLACEMENT SHALLOW WELL PUMP INSTALLATIONS

1. Select the pump with K1-S suction flange the from the following chart, based upon the horsepower rating and performance needed. Note that only the K1-S suction flange will allow the shallow well injector kit to bolt up to it successfully.

Convertible Versajet with Suction Flange Factory Mounted				
Model	HP	Order Number	Suction Flange	Accepts SW Injector
CVJ05CI-S-P	1/2	96136105	K1-S	Yes
CVJ07CI-S-P	3/4	96136107		
CVJ10CI-S-P	1	96136110		

2. Order the following shallow well injector kit to fit the pump selected. This kit contains nozzles and venturi to enable it to fit all shallow well applications described in the performance charts.

Shallow Well Injector	Order Number
SWI-7	96151000

*NOTE: This kit contains all nozzle & venturi combinations, plus instructions of how to choose and install the correct ones for your specific application*

#### ALTERNATE SUCTION FLANGE KITS

1. Should an alternate suction flange kit be needed to retrofit a pump to enable it to serve a specific application, the following are available and include all necessary hardware for mounting.

Suction Flange Model	Order Number
K1-S (Sta-Rite)	96150946
K2-G (Goulds)	96150947
K3-F (F&W)	96150948
K4-M (Myers)	96150949
K5-J (Jacuzzi)	96150952

## JET PUMPS - CONVERTIBLE PRO (RM2) SERIES

### FEATURES

- Heavy-duty cast iron case with 1-1/4" inlet and (3) 1" outlets
- Stainless steel impeller ensures optimum durability
- Thermoplastic diffuser is precision molded for optimum efficiency
- Each pump factor equipped with internal shallow well injector easily replaced with bypass plug for deep well operation
- Shaft coupling designed for easy removal of keyed shaft motor
- Carbon/ceramic faced mechanical shaft seal with nitrile elastomer ensures positive sealing at all pressures
- High service factor 56C-frame motor for maximum performance
- Adjustable pressure switch is factory installed and set at 30/50 psi
- Maximum temperature of 140 °F/60 °C; 150 PSI maximum working pressure



### ORDERING INFORMATION

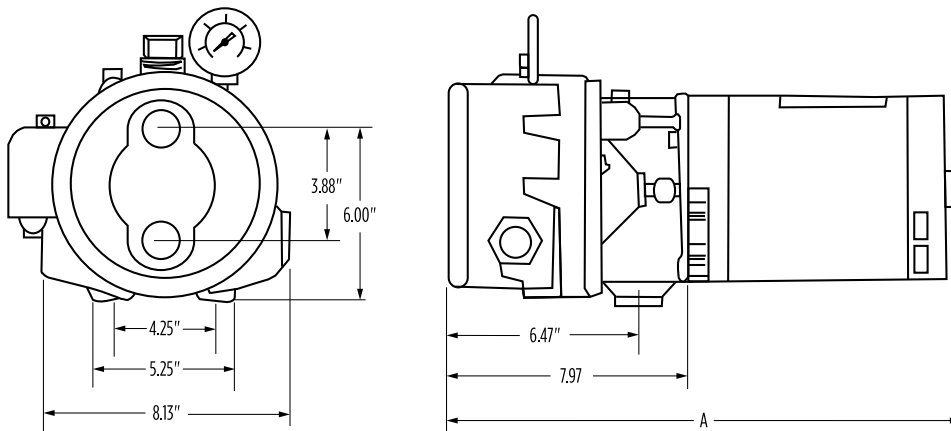
Model	HP	Phase	Voltage	S.F.A	Pump Unit		Deep-Well Injector		
					Order No.	Wt. (lbs)	Total Suction Lift (ft)	Order No.	Wt. (lbs)
FP05CI-C	1/2	1	115/230	11.8/5.9	91140005	48	30-60	147E1120	7
FP07CI-C	3/4			14.8/7.4	91140007	51	30-60	147E1023	
FP1CI-C	1			14.4/7.7	91140010	53	30-60	147E1125	
FP1CI-C	1	3	208-230/460	4.6/2.3	91112011	53	50-100	147E1120	

NOTES: Order deep-well injector separately; minimum inside well diameter requirement of 4" for deep-well injectors; parallel pipe injectors are required for deep well installations

### DIMENSIONS

Model	HP	A
FP05CI-C	1/2	18.65"
FP07CI-C	3/4	19.15"
FP1CI-C	1	19.65"

NOTE: Dimensions will vary according to motor manufacturer



## JET PUMPS - CONVERTIBLE PRO (RM2) SERIES

### SHALLOW-WELL PERFORMANCE

1" Dis. x 1-1/4" Suc.			Discharge Pressure (PSI)										Shut-off Pressure (PSI)	
Model	HP	Total Suction Lift (ft)	30	35	40	45	50	55	60	65	70	75		80
			Gallons Per Minute (GPM)											
FP05CI-C	1/2	5	12.5	9.8	7.1	4.7	2.5	-	-	-	-	-	-	56.8
		10	-	8.6	6.0	3.6	1.5	-	-	-	-	-	-	54.2
		15	-	7.4	4.8	2.5	0.5	-	-	-	-	-	-	51.6
		20	-	6.0	3.5	1.6	-	-	-	-	-	-	-	49.6
		25	-	4.5	2.2	0.6	-	-	-	-	-	-	-	47.5
FP07CI-C	3/4	5	-	15.1	12.9	9.5	6.2	3.1	-	-	-	-	-	60.3
		10	-	-	11.7	8.2	4.9	2.0	-	-	-	-	-	58.4
		15	-	-	10.4	6.8	3.6	-	-	-	-	-	-	56.4
		20	-	-	8.4	5.5	2.4	-	-	-	-	-	-	54.1
		25	-	-	-	4.1	1.2	-	-	-	-	-	-	51.8
FP1CI-C	1	5	-	-	-	16.8	14.0	11.1	8.1	5.0	1.8	-	-	73.0
		10	-	-	-	-	12.7	9.9	7.0	3.9	-	-	-	71.3
		15	-	-	-	-	11.4	8.7	5.9	2.8	-	-	-	69.5
		20	-	-	-	-	-	7.1	4.2	-	-	-	-	66.7
		25	-	-	-	-	-	5.5	2.5	-	-	-	-	63.8
FP1CI-C (High Head)	1	5	-	-	-	-	-	11.2	8.9	6.8	4.9	3.1	1.4	84.2
		10	-	-	-	-	-	10.0	7.9	5.9	4.0	2.2	-	81.6
		15	-	-	-	-	-	8.8	6.8	4.9	3.1	1.3	-	79.0
		20	-	-	-	-	-	-	5.5	3.9	2.1	0.7	-	76.0
		25	-	-	-	-	-	-	4.2	2.8	1	-	-	72.9

### DEEP-WELL PERFORMANCE

1" Dis. x 1-1/4" Suc. 1" Drive Pipe				Discharge Pressure (PSI)									Shut-off Pressure (PSI)	Inj. Min. Operating Pressure	
Model	HP	Injector Order No.	Total Suction Lift (ft)	30	35	40	45	50	55	60	65	70			
				Gallons Per Minute (GPM)											
FP05CI-C	1/2	147E1120	30	9.0	7.0	5.5	4.0	2.5	1.5	-	-	-	65	18	
			40	7.5	6.0	4.0	3.0	1.5	-	-	-	-	59		
			50	6.0	4.5	3.0	2.0	1.0	-	-	-	-	56		
			60	5.0	3.5	2.0	1.0	-	-	-	-	-	52		
			70	4.0	3.0	1.5	-	-	-	-	-	-	50		
		147E0915	50	6.0	5.0	4.0	3.0	2.5	2.0	1.0	-	-	-	74	23
			60	5.0	4.0	3.5	2.5	2.0	1.0	-	-	-	-	70	
			70	4.0	3.5	2.5	2.0	1.5	-	-	-	-	-	65	
			80	3.5	3.0	2.0	1.5	1.0	-	-	-	-	-	61	
			90	3.0	2.0	1.5	1.0	-	-	-	-	-	-	57	
FP07CI-C	3/4	147E1023	30	15.5	13.5	11.0	8.5	6.5	4.0	2.0	-	-	66	18	
			40	13.5	11.5	9.0	7.0	4.5	2.4	-	-	-	61		
			50	11.0	9.5	7.0	5.0	3.0	-	-	-	-	57		
			60	9.0	7.5	5.0	3.0	1.0	-	-	-	-	53		
			70	8.0	7.0	6.0	4.5	4.0	3.0	2.0	1.5	-	-		80
		147E1118	50	9.0	8.0	7.0	6.0	4.5	3.5	3.0	2.0	1.0	-	77	23
			60	8.0	7.0	6.0	4.5	4.0	3.0	2.0	1.5	-	-	72	
			70	6.5	5.5	4.5	3.5	3.0	2.0	1.0	-	-	-	67	
			80	6.0	5.0	4.0	3.0	2.0	1.5	-	-	-	-	63	
			90	5.0	4.0	3.0	2.0	1.5	-	-	-	-	-	30	
FP1CI-C	1	147E1125	30	19.5	17.0	14.5	12.0	9.5	7.0	5.0	-	-	72	30	
			40	17.5	15.0	12.5	10.0	7.5	5.0	3.0	-	-	67		
			50	15.5	13.0	10.5	8.0	5.5	3.5	1.0	-	-	63		
			60	13.0	10.5	8.5	6.0	3.5	1.5	-	-	-	59		
			70	-	11.0	9.5	8.0	6.5	5.0	4.0	3.0	2.0	82		
		147E1120	60	-	10.0	8.0	7.0	5.5	4.0	3.0	2.0	1.0	78	36	
			70	-	8.0	7.0	6.0	4.5	3.0	2.0	1.0	-	73		
			80	-	7.0	6.0	4.5	3.5	2.0	1.5	-	-	70		
			90	-	6.0	5.0	3.5	2.5	1.5	-	-	-	65		
			100	-	5.0	4.0	3.0	1.5	-	-	-	-	61		

## JET PUMPS - CONVERTIBLE C SERIES

### FEATURES

- Heavy-duty cast iron volute and motor bracket for long life
- 1-1/2" inlet, (2) 3/4" outlets and (1) 1" outlet - all models
- 1/4" NPT ports for pressure gauge and AVC connection
- Stainless steel impeller for high performance and durability
- Thermoplastic diffuser is precision molded for efficiency
- Screw-in injector & bypass plug for easy conversion from shallow- to deep-well installation
- Stainless steel shaft on 56J threaded shaft motor for direct mounting of impeller
- Carbon/ceramic faced mechanical seal with nitrile elastomer ensures leak-proof operation at all discharge pressures
- Adjustable pressure switch is factory installed and set to 30-50 PSI
- Maximum temperature of 140 °F/60 °C; 75 PSI maximum working pressure
- Deep well injector kits must be ordered separately



### ORDERING INFORMATION

Model No.	HP	Voltage	S.F.A.	Pump Unit		Deep-Well Injector		
				Order No.	Wt. (lbs)	Total Suction Lift (ft)	Order No.	Wt. (lbs)
FE05CI-C	1/2	115/230	9.4/4.8	91060020	45	20-60	147E1018	7
						12.8/6.4	147E1117	
						90-120	147E1115	
FE07CI-C	3/4	115/230	12.8/6.4	91060053	50	20-60	147E1124	
						50-90	147E1019	
						80-120	147E0914	

## JET PUMPS - CONVERTIBLE C SERIES

### SHALLOW-WELL PERFORMANCE

C Series			Discharge Pressure (PSI)						Shut-off Pressure (PSI)
Model No.	HP	Total Suction Lift (ft)	30	35	40	45	50	55	
			Gallons Per Minute (GPM)						
FE05CI-C	1	5	9.7	9.5	9.2	7.6	5.5	3.6	66.1
		10	8.4	8.2	8.0	6.5	4.5	2.7	64.0
		15	7.0	6.9	6.7	5.3	3.4	1.8	61.9
		20	5.2	5.2	5.1	4.0	2.6	0.9	58.7
		25	3.4	3.4	3.4	2.7	1.8	0.0	55.4
FE07CI-C	3/4	5	15.8	15.7	14.1	10.7	7.5	4.0	61
		10	15.0	14.9	12.8	9.2	6.0	2.5	59
		15	14.0	13.9	11.3	7.9	4.5	1.0	57
		20	12.5	12.4	9.6	6.4	3.0	-	54
		25	10.5	10.4	8.3	4.9	1.5	-	52

### DEEP-WELL PERFORMANCE

C Series				Discharge Pressure (PSI)					Shut-off Pressure (PSI)
Model No.	HP	Injector Order No.	Total Suction Lift (ft)	30	35	40	45	50	
				Gallons Per Minute (GPM)					
FE05CI-C	1/2	147E1018	20	10.5	8.5	7.0	6.0	4.5	61
			30	8.5	7.0	5.5	4.0	3.5	59
			40	7.0	5.5	4.5	3.5	2.5	57
			50	5.5	4.5	4.0	3.0	2.0	55
			60	4.5	3.5	3.0	2.0	1.0	53
			60	5.0	4.0	3.5	3.0	2.5	70
		147E1117	70	4.0	3.5	3.0	2.5	2.0	66
			80	3.5	3.0	2.5	2.0	1.5	61
			90	3.0	2.5	2.0	1.5	1.0	56
			90	3.0	2.5	2.0	1.5	1.0	64
			100	2.5	2.0	1.5	1.0	0.5	60
			110	2.0	1.5	1.0	0.5	-	56
FE07CI-C	3/4	147E1115	120	1.5	1.0	0.5	-	-	52
			20	16	14.0	12.0	10.0	8.0	69
			30	14	12.0	10.0	8.0	6.0	64
			40	11.5	10.0	7.5	6.0	4.0	59
			50	10	8.0	6.0	4.0	2.0	55
			60	7.5	6.0	4.0	2.0	-	50
		147E1019	50	9.5	8.5	7.5	6.5	5.5	74
			60	8.0	7.0	6.0	5.0	4.0	70
			70	7.0	6.0	5.0	4.0	3.0	66
			80	6.0	5.0	4.0	3.0	2.0	61
			90	4.5	3.5	2.5	2.0	1.0	56
			147E0914	80	6.0	4.0	3.5	3.0	3.0
90	4.0	3.5		3.5	3.0	2.5	83		
100	3.5	3.5		3.0	2.5	2.0	80		
110	3.5	3.0		2.5	2.0	2.0	76		
120	2.5	2.5		2.0	2.0	1.5	72		